

12232A

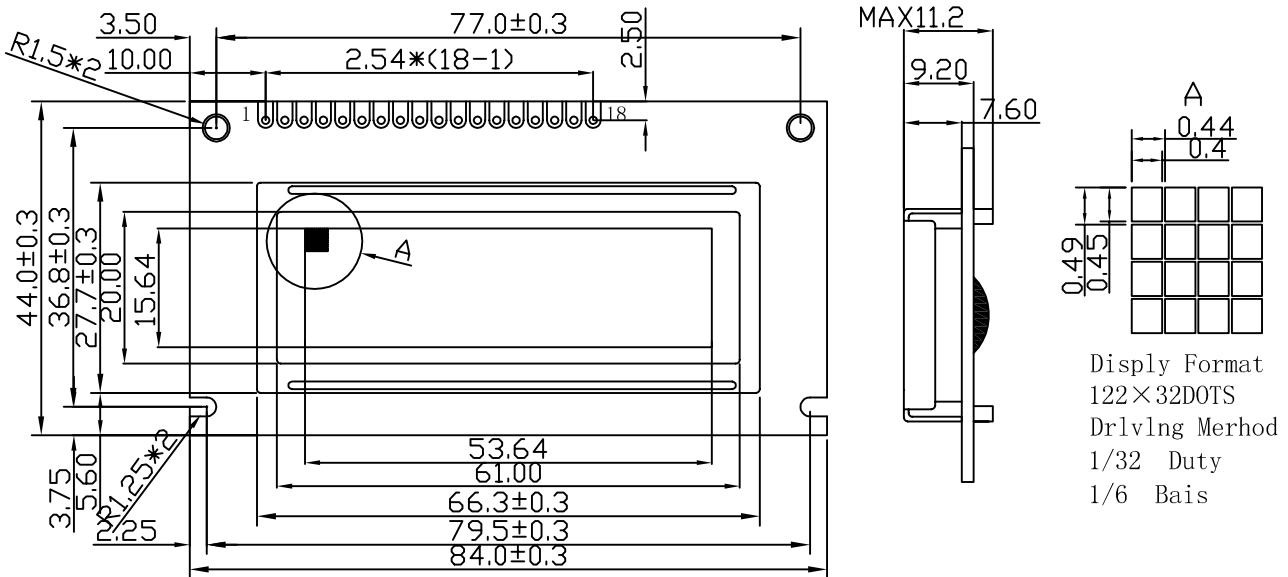
深圳市新显科技有限公司

电话: 0755-6139 3659

邮箱: szxslcd@163.com

地址: 深圳市宝安区西乡劳动路华丰第二工业区 8 栋

① PHYSICAL DIMENSION/外型尺寸

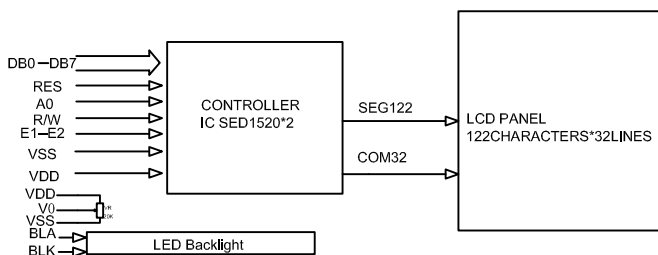


② FEATURES/特征

Feature(特征)	UNIT(单位)
LCD type & Colour(类型及颜色)	STN Yellow-green ;STN Blue
Vlew Angle(视角)	6 0' c'clock
Operatlng temperature(工作温度)	-0℃ ---- 50℃
Storage Temperature(贮存温度)	-10℃ ---- 60℃
Control IC & Package(控制芯片及封装)	SED1520 , COB
Weight(重量)	32 (With B/L) g
Backlight(背光类型)	LED

Ta=25℃		MIN(最小)	TYP(典型)	MAX(最大)	UNIT(单位)
Supply current don't contain backlight(无背光时电流)		0	8		mA
VDD(电源)		-0.3	5.0		V
VLCD-V0(LCD驱动电压)		0	5.0		V
Backlight LED (背光电压,电流)	側背光	0	50		mA
	底背光	0	5.0		V
		0	180		mA

④ BLOCK DIAGRAM/原理电路



③ PIN CONFIGURATION/管脚说明

ITEM	SYMBOL	DESCRIPTION	
1	VDD	Power positive (逻辑电压)	
2	VSS	Power ground (地)	
3	V0	Operating voltage for LCD Driver (对比度调节)	
4	RES	Reset Signal active-low (复位, 低电平有效)	
5	E1	Enable single (使能, 下降沿有效)	
6	E2	Enable single (使能, 下降沿有效)	
7	RW	H:Read data(读数据) L:Write data(写数据)	
8	RS	H:Data(数据) L:Instruction (指令)	
9	DB0	Data bus [0~7]. There state I/O common terminal. (数据线0-7)	
16	DB7		
17	BLA		Power supply for backlight(+) (背光正极)
18	BLK		Power supply for backlight(-) (背光负极)

⑤ ELUCIDATION/补充备注

1. Manifestation cent cent hold manifestation with whole hold manifestation Two kinds, attention press to need to be choose!

1. 显示分全屏显示和分屏显示两种, 注意按需要选择!